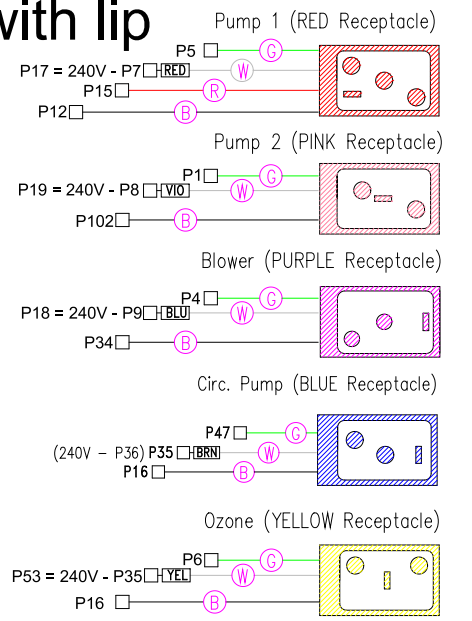
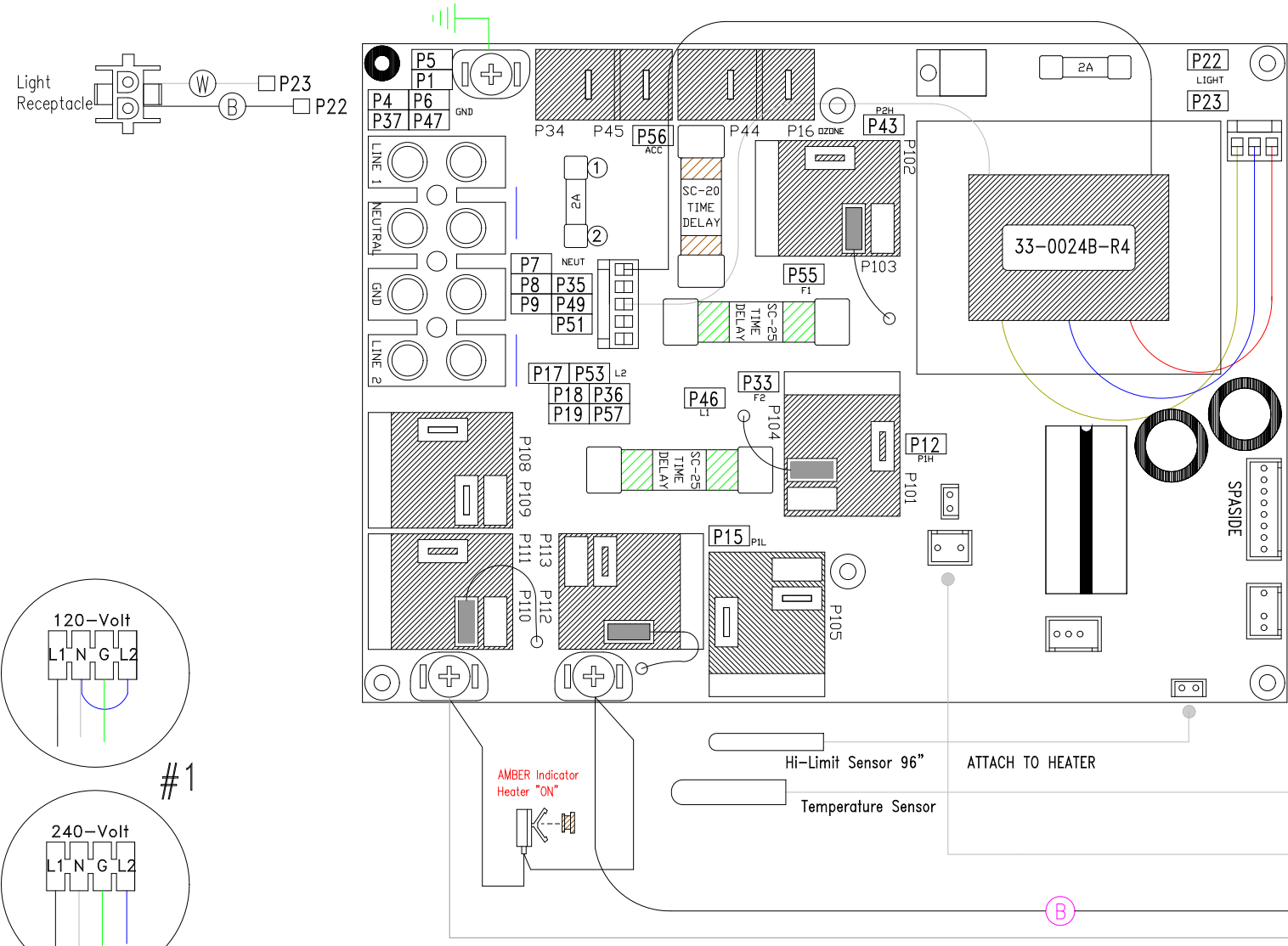
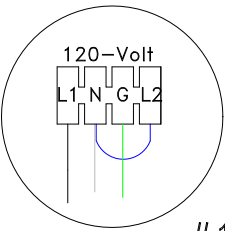


# Receptacles with lip

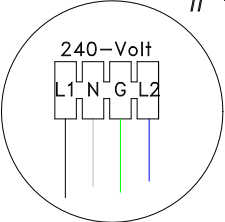


LT. VIOLET (PRESSURE SWITCH)

Heater 3-Pin (BLACK Receptacle)



#1



LEGEND	
	- 1/4" QUICK CONNECT
	- 1/4" QUICK CONNECT PIGGYBACK
	- FORK CONNECTOR
	- RING CONNECTOR
	- SOCKET CONNECTOR
	- PIN CONNECTOR

Manufacture Notes:

#1: Line 2 and Neutral must be jumpered for 120V sevice

Drawn	Rev	Wire Color Code
MBS	03	
Date	05.04.10	
Diagram No.	6840	
B - Black Br - Brown R - Red O - Orange Y - Yellow		G - Green Bl - Blue V - Violet W - White Gr - Gray